

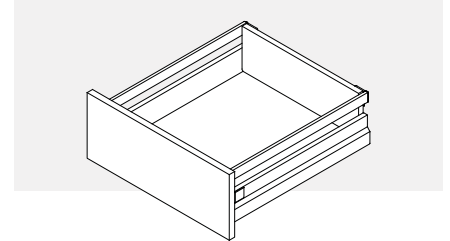
NOVA PRO CLASSIC

Pot drawer H90 with rectangular railing



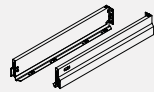
- Elegant rectangular railing system
- Fully synchronised slide technology without mid-way knock
- Excellent running characteristics
- Maximum stability
- Minimal drawer deflection
- Integrated height and side adjustment
- Tilt angle adjustment using railing
- Drawer front can be fitted and removed without tools
- Bottom panel machining not required
- Width of bottom and back panel is the same

- Optimal use of storage space due to straight inside surfaces and narrow construction width

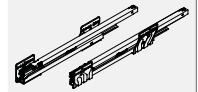


ORDER INFORMATION

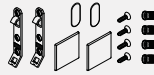
1 Nova Pro Classic drawer sides H90, left/right			
NL	Metallic	Pure white	
270	F100062886	F100062913	
300	F100062889	F100062916	
350	F100062892	F100062919	
400	F100062895	F100062922	
450	F100062898	F100062925	
500	F100062901	F100062928	
550	F100062904	F100062931	
600	F100062907	F100062934	
650	F100062910	F100077082	



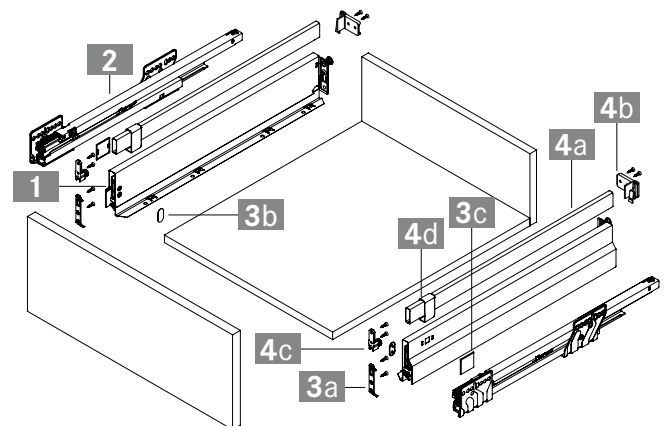
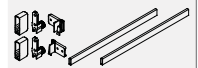
2 Nova Pro full extension slide Soft-close left/right			
NL	40 kg	70 kg	
270	F101063663	-	
300	F101063664	-	
350	F101063665	-	
400	F101063666	-	
450	F101063667	F101063711	
500	F101063668	F101063714	
550	F101063669	F101063717	
600	F101063670	F101063720	
650	-	F101063723	



3 Installation hook set for screw fixing for H90 consisting of: items 3a, 3b, 3c			
	Metallic	Pure white	
	F102038094	F102076746	



4 Rectangular railing set, left/right consisting of: items 4a, 4b, 4c, 4d			
NL	Metallic	Pure White	
270	F102100674	F102100675	
300	F102045858	F102045851	
350	F102045859	F102045852	
400	F102045860	F102045853	
450	F102045861	F102045854	
500	F102045862	F102045855	
550	F102045863	F102045856	
600	F102045864	F102045857	
650	F102066918	F102077443	



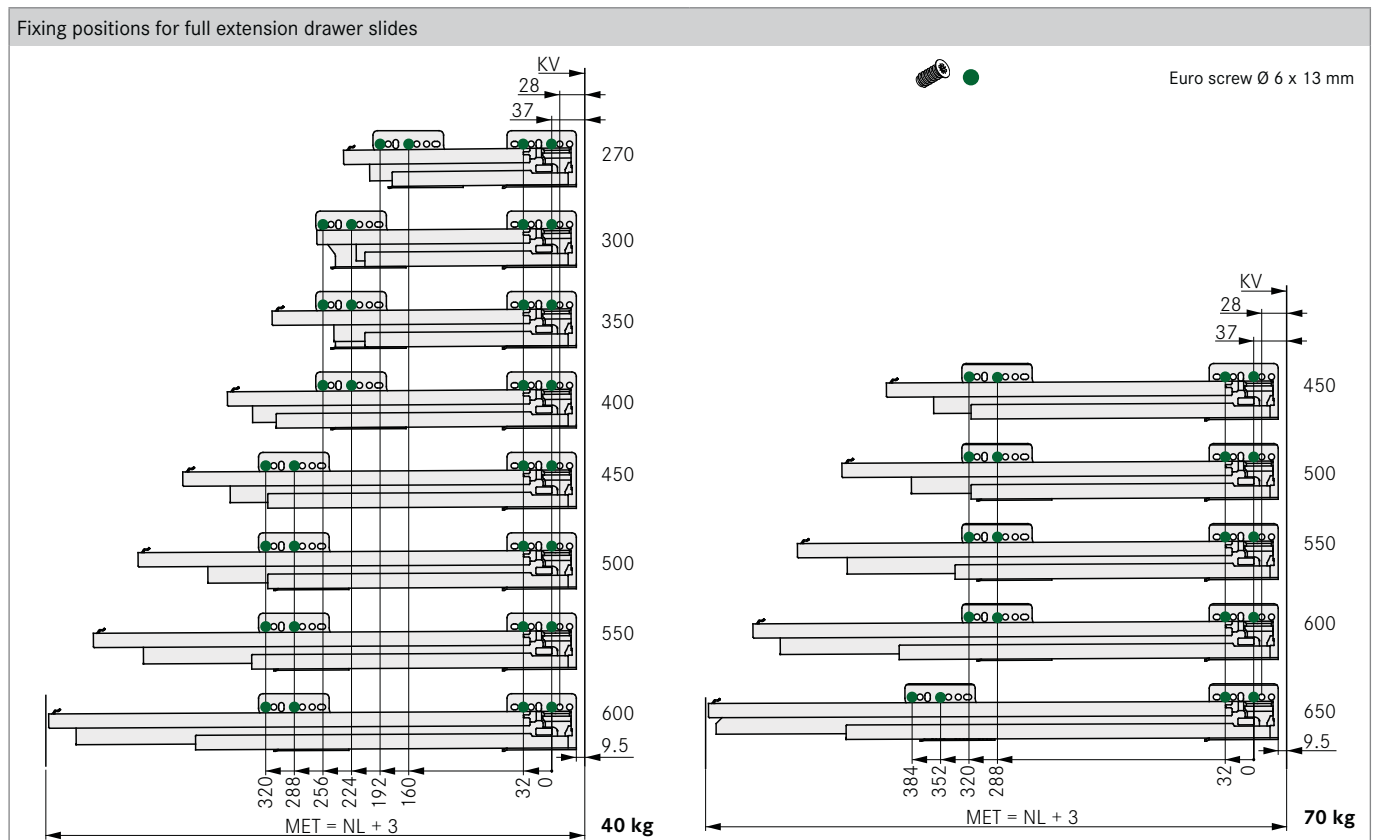
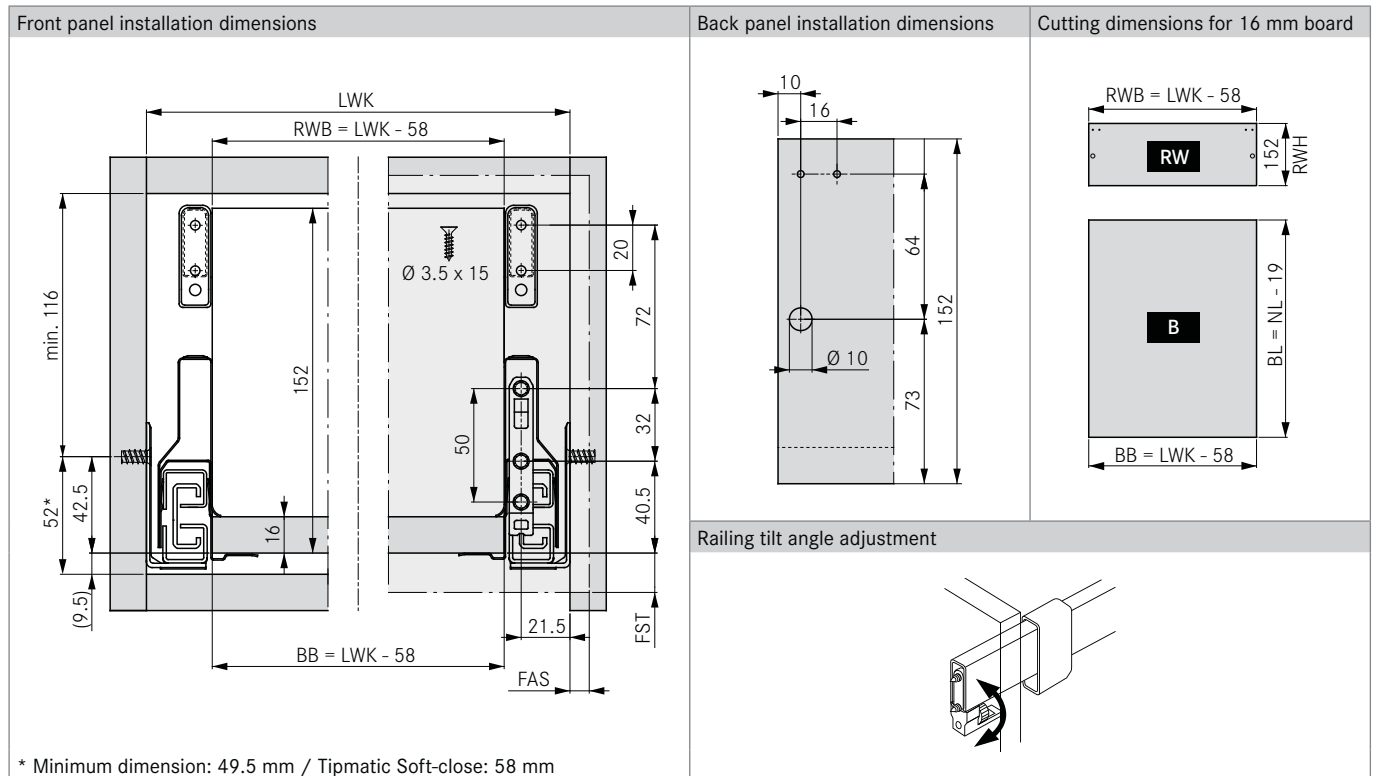
Nova Pro organising systems	111
Nova Pro Tipmatic Plus	106

Nova Pro Sensomatic	149
Technical information	108

Assembly technology	142
Assembly aids	144

INSTALLATION INFORMATION

All dimensions in millimetres



LEGEND

B	Bottom panel	FST	Front overlay	NL	Nominal length
BB	Bottom panel width	KV	Front edge of cabinet	RW	Back panel
BL	Bottom panel length	LWK	Inside cabinet width	RWB	Width of back panel
FAS	Front overlay, side	MET	Minimum installation depth	RWH	Height of back panel